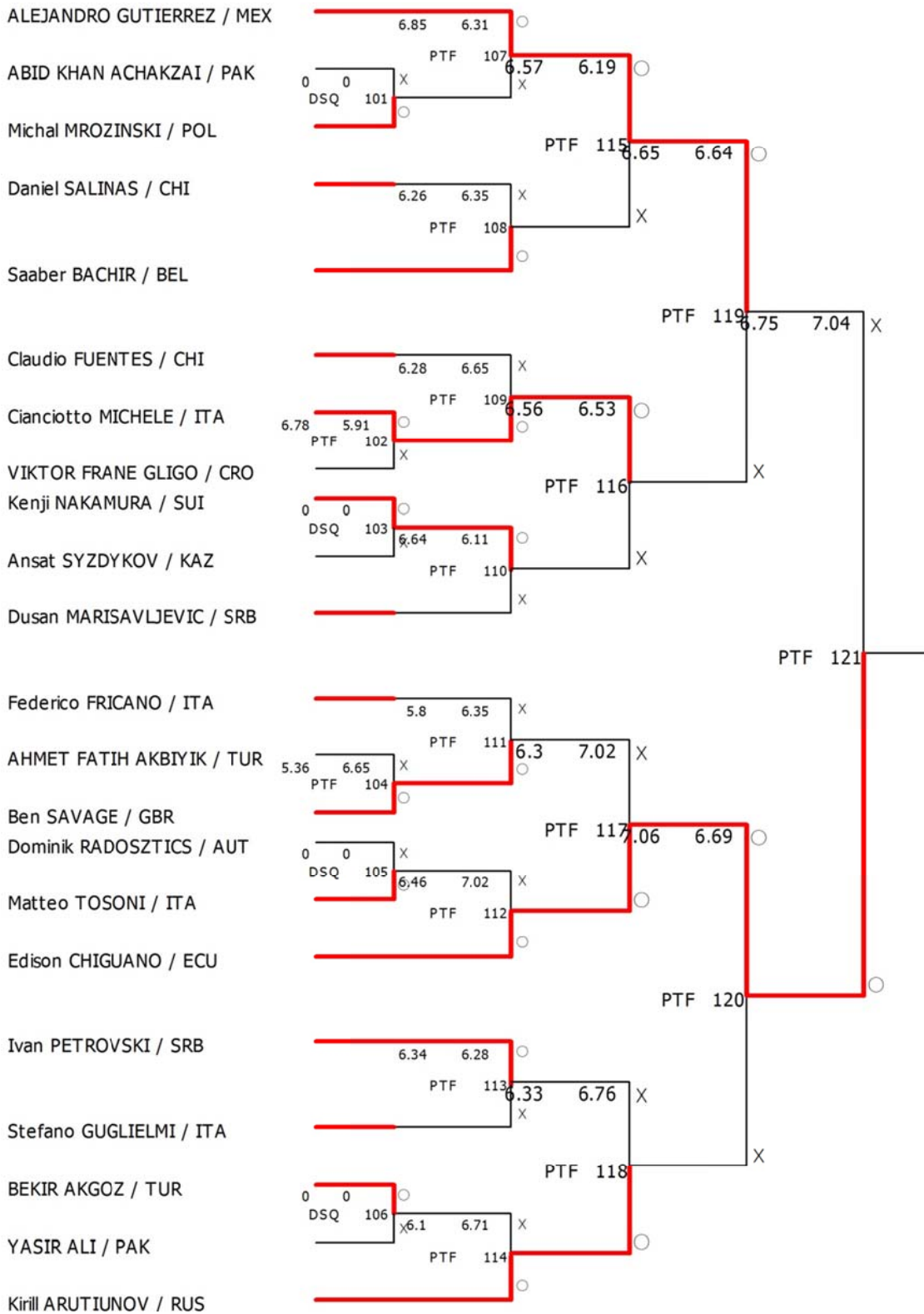


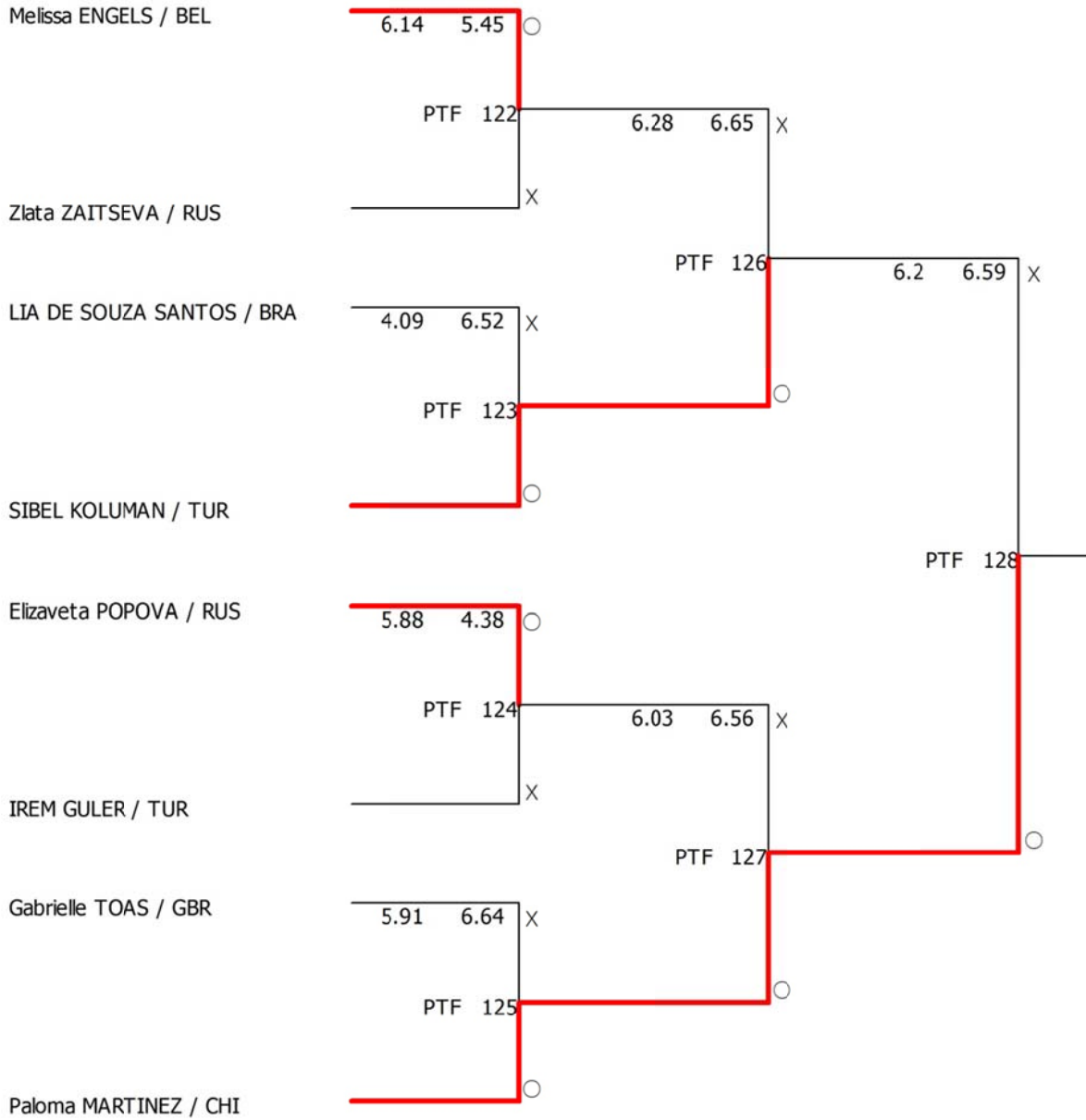
8th WORLD PARA-TAEKWONDO CHAMPIONSHIPS(Poomsae)

PARA Poomsae/P20/Male Under 30



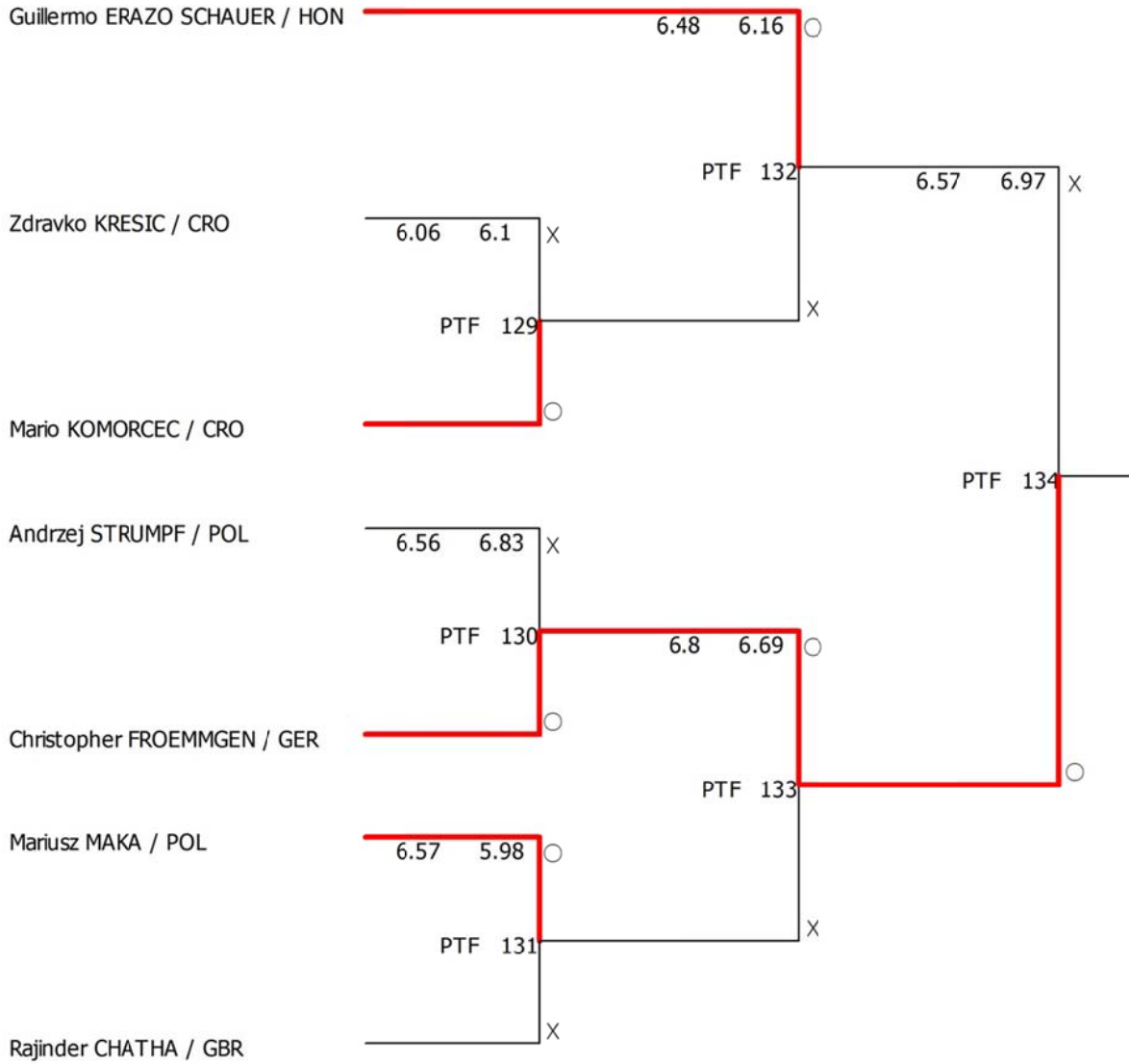
8th WORLD PARA-TAEKWONDO CHAMPIONSHIPS(Poomsae)

PARA Poomsae/P20/Female Under 30



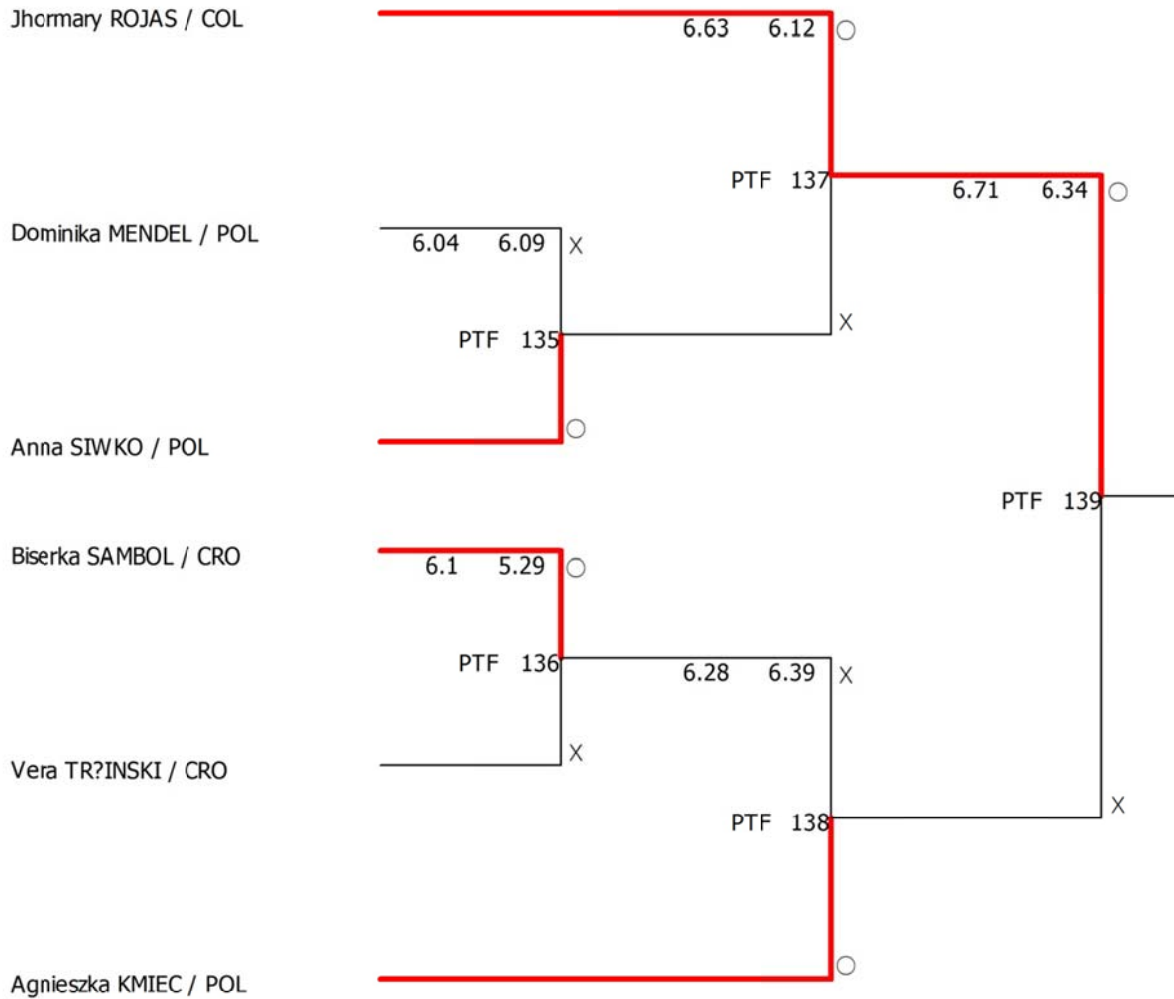
8th WORLD PARA-TAEKWONDO CHAMPIONSHIPS(Poomsae)

PARA Poomsae/P20/Male Over 30



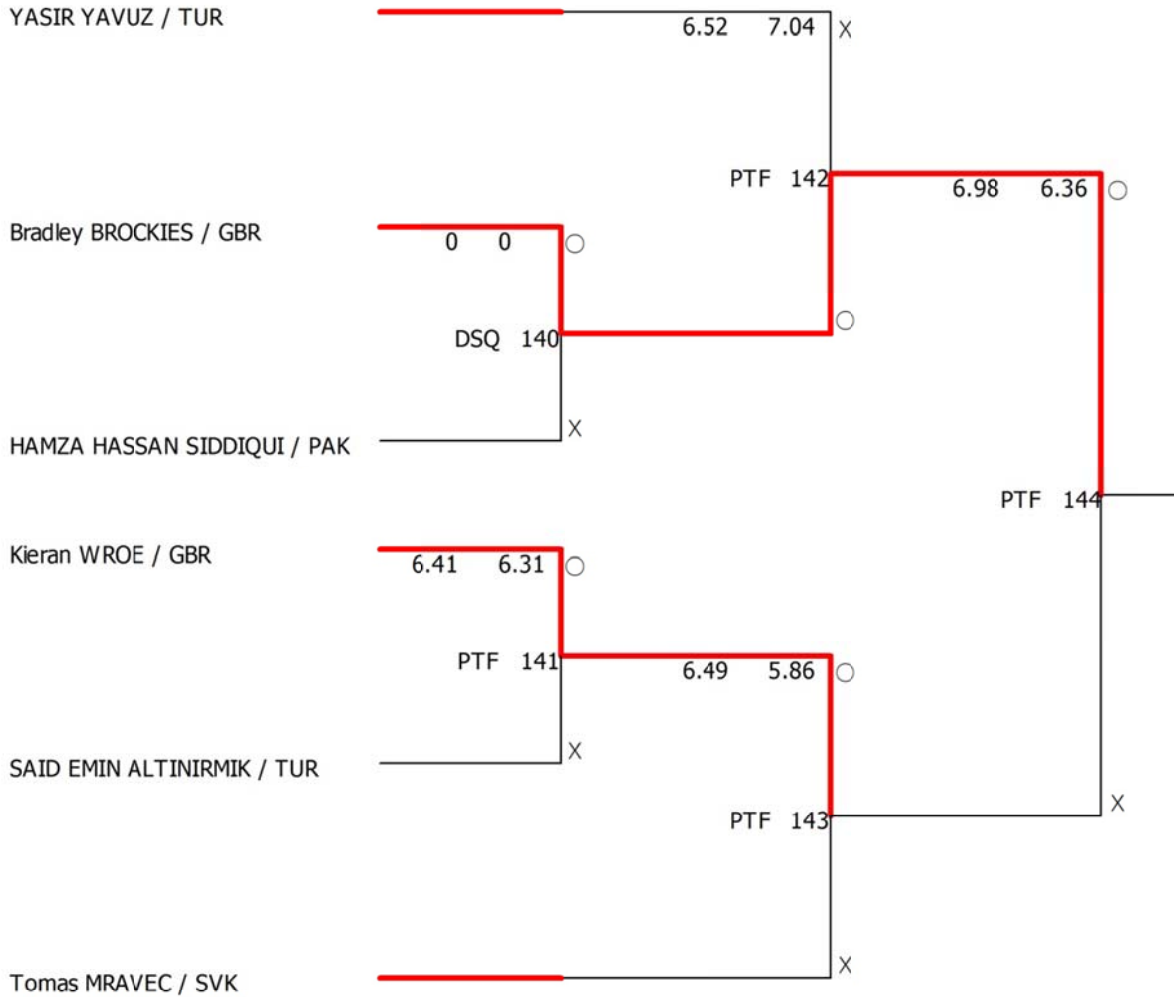
8th WORLD PARA-TAEKWONDO CHAMPIONSHIPS(Poomsae)

PARA Poomsae/P20/Female Over 30



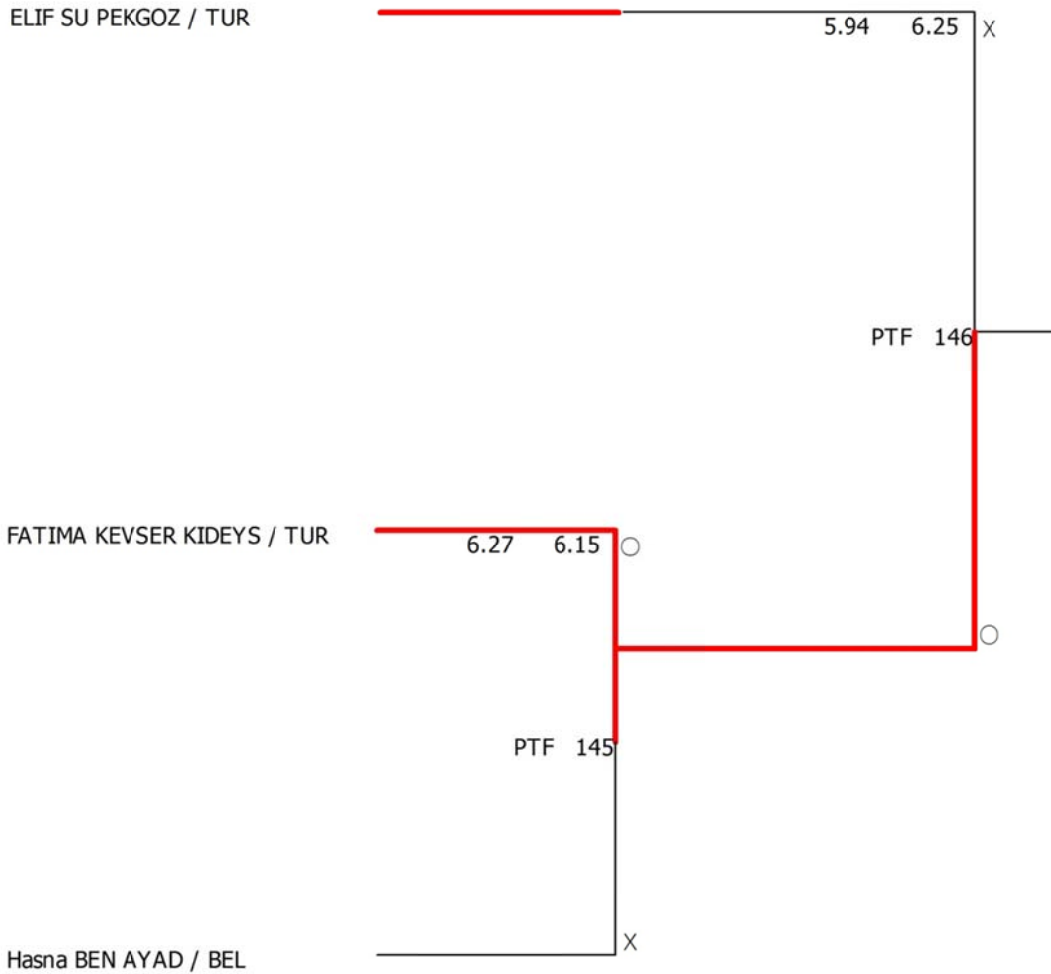
8th WORLD PARA-TAEKWONDO CHAMPIONSHIPS(Poomsae)

PARA Poomsae/P20/Male Junior



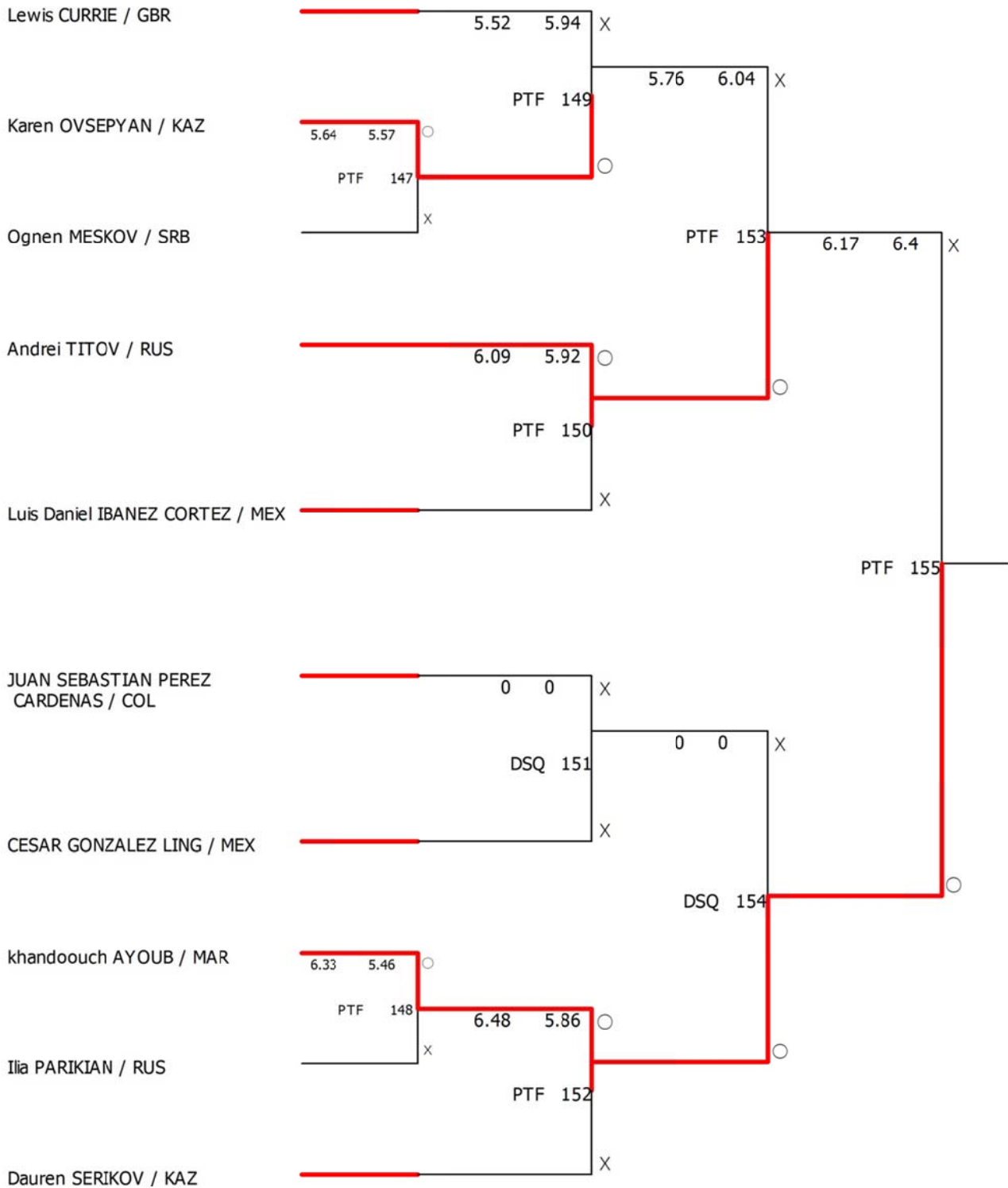
8th WORLD PARA-TAEKWONDO CHAMPIONSHIPS(Poomsae)

PARA Poomsae/P20/Female Junior



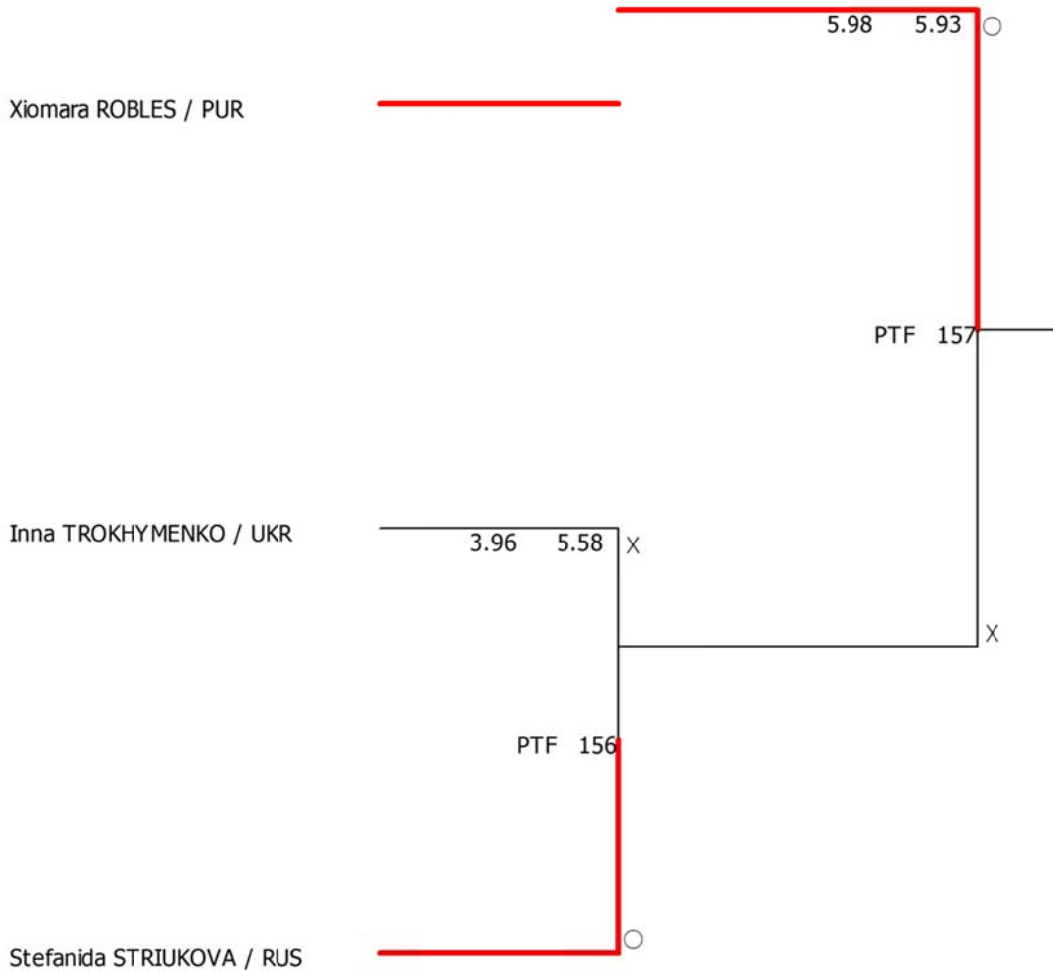
8th WORLD PARA-TAEKWONDO CHAMPIONSHIPS(Poomsae)

PARA Poomsae/P30/Male - P31



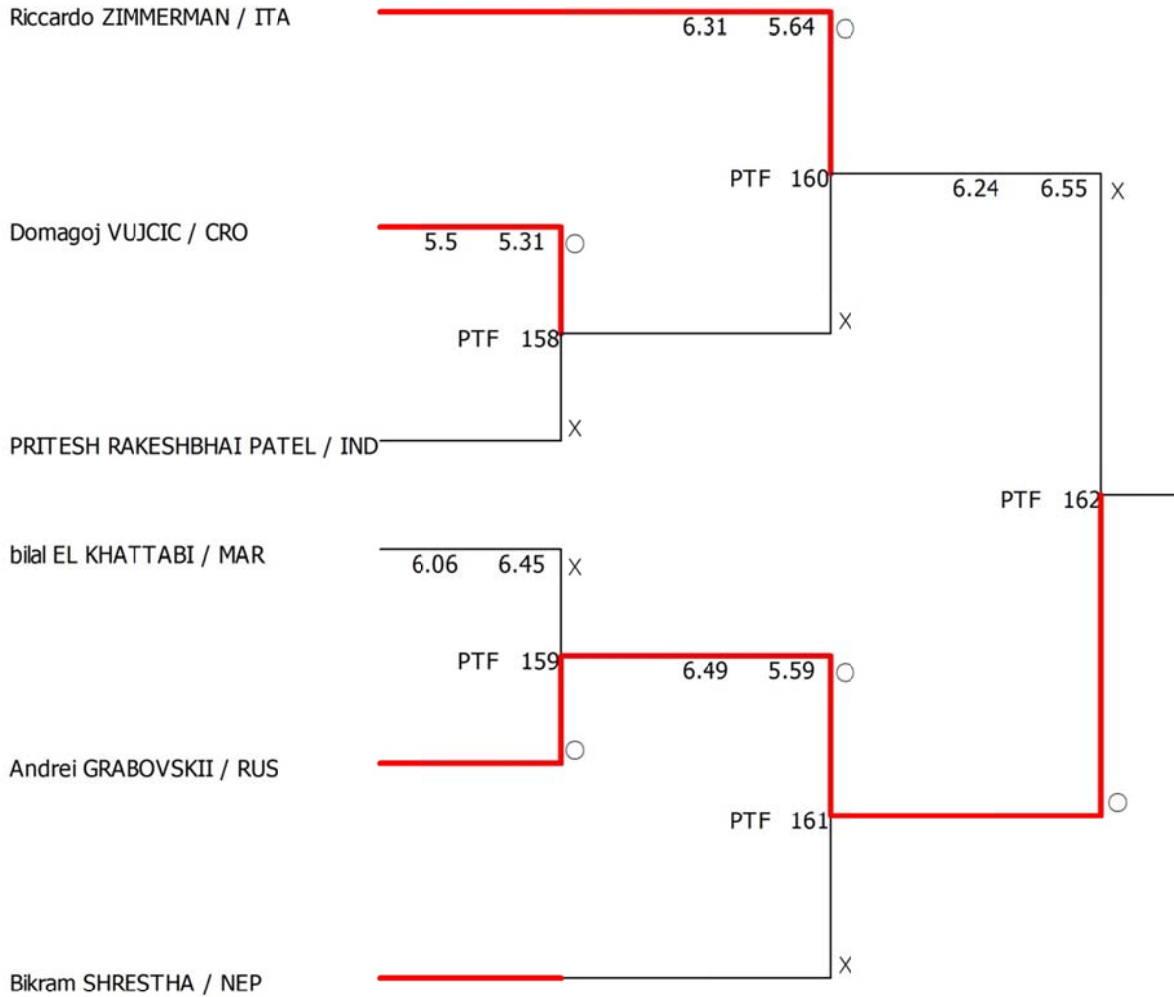
8th WORLD PARA-TAEKWONDO CHAMPIONSHIPS(Poomsae)

PARA Poomsae/P30/Female - P31



8th WORLD PARA-TAEKWONDO CHAMPIONSHIPS(Poomsae)

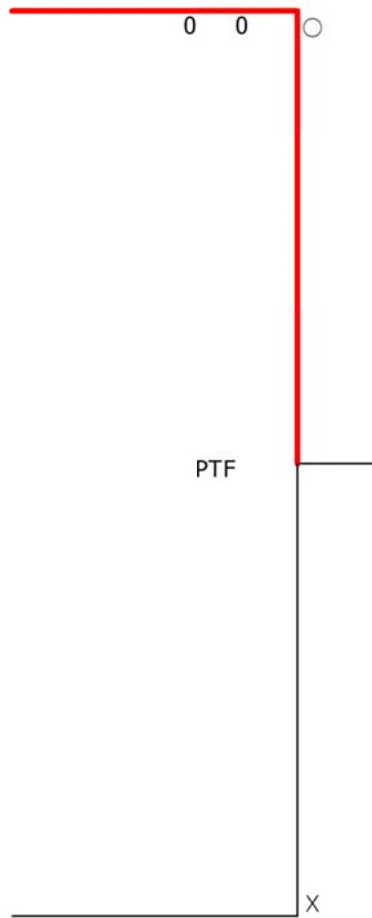
PARA Poomsae/P30/Male - P32



8th WORLD PARA-TAEKWONDO CHAMPIONSHIPS(Poomsae)

PARA Poomsae/P30/Female - P32

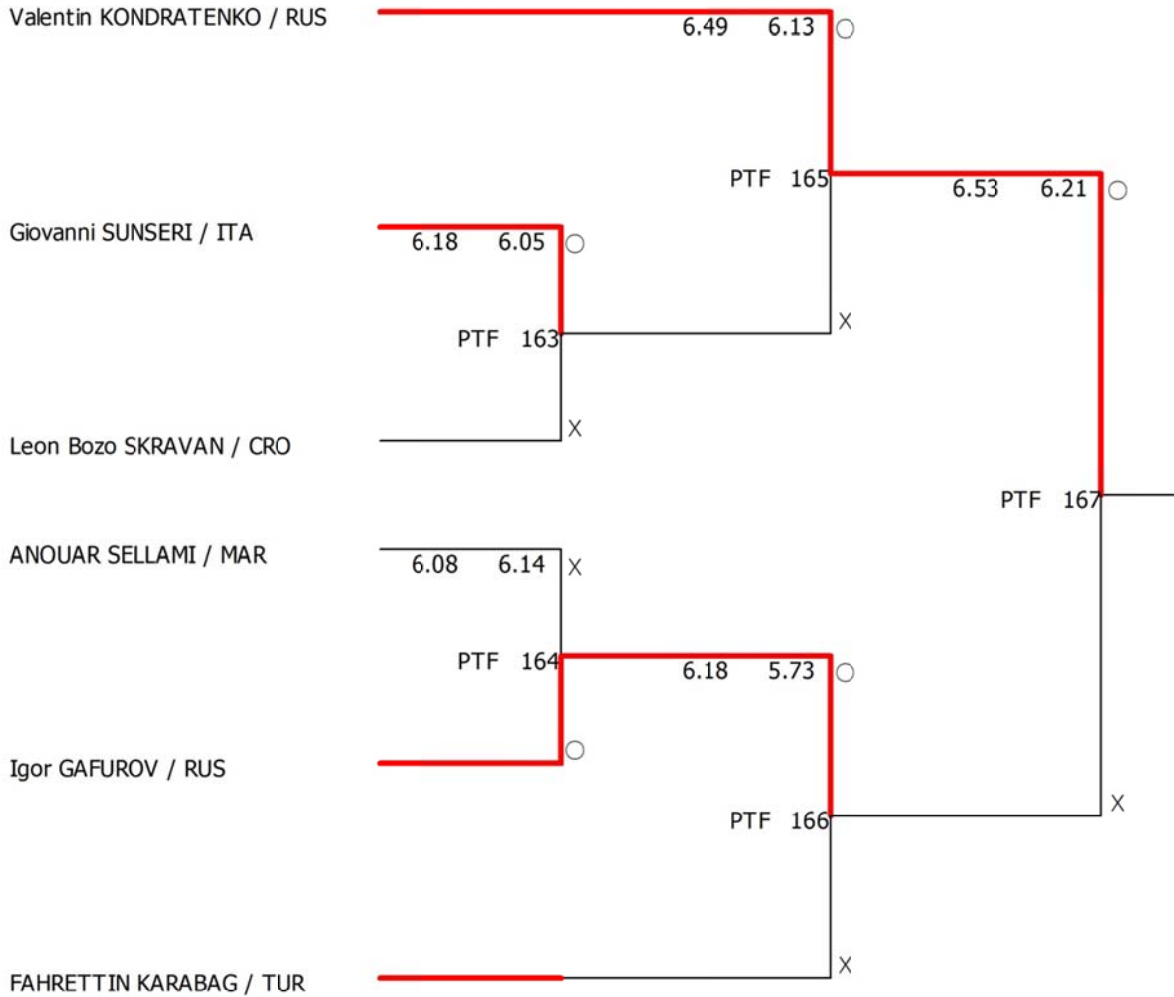
Senada HALILCEVIC / CRO



/

8th WORLD PARA-TAEKWONDO CHAMPIONSHIPS(Poomsae)

PARA Poomsae/P30/Male - P33



8th WORLD PARA-TAEKWONDO CHAMPIONSHIPS(Poomsae)

PARA Poomsae/P30/Female - P33

Iris FUENTES / USA

5.75 6.33 X

PTF 168

Samantha CARRINGTON / GBR

8th WORLD PARA-TAEKWONDO CHAMPIONSHIPS(Poomsae)

PARA Poomsae/P30/Male - P34

Aliaksandr DANILIUK / BLR

6.32 0

PTF 169

/

X

8th WORLD PARA-TAEKWONDO CHAMPIONSHIPS(Poomsae)

PARA Poomsae/P30/Female - P34

